

POWERQUIP

EXCAVATOR

PQE150 EXCAVATOR



EXCLUSIVE DISTRIBUTOR



**THE
LEGACY**
TRUCKS & TRACTORS INC.
THE LEGACY OF EXCELLENCE

RATED POWER : 114Hp
MAX DIGGING DEPTH : 5.64M
BUCKET CAPACITY : 0.6m³

VEHICLE MODEL

PQE150

SPECIFICATION

Operating Weight (Kg)	14800	Gradeability	35°
Engine Model	ISUZU G1-4JJ1XKSC	Bucket Digging Force	100
Engine Power -KW/rpm(hp)	84/2200(114)	Fuel Tank (L)	245
Displacement (L)	2.99	Hydraulic Oil (Refilling) (L)	150
Bucket Capacity (m ³)	0.6	Maximum Setting Pressure Working (MPa)	34.3
Swing Speed (rpm)	11.1	Flow/Maximum Flow (L/m)	2x139
Travel Speed (km/h)	3.33/5.54		
Max Digging Depth (m)	5.64		

DIMENSION

Counterweight Clearance (mm)	915
Tail Swing Radius (mm)	2350
Shipping Length (mm)	7815
Shipping Height (mm)	2600
Shipping Width (mm)	2825

WORKING RANGE

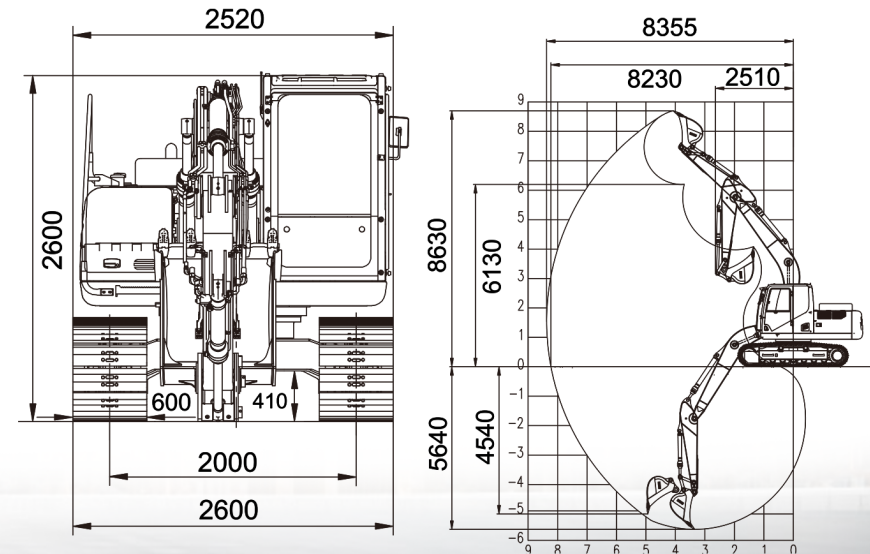
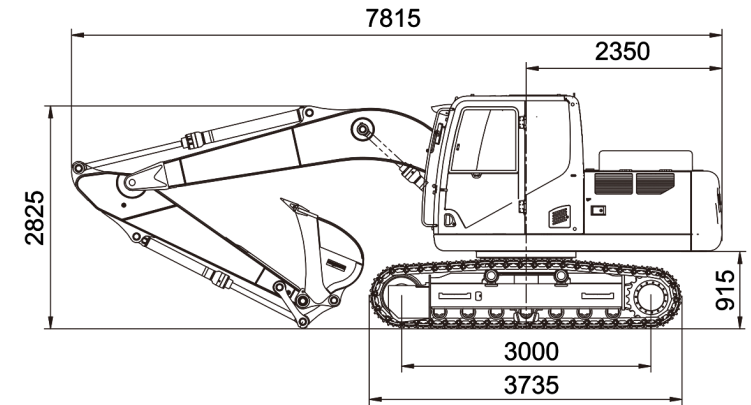
Max Cutting Height (mm)	8630
Max Loading Height (mm)	6130
Max Vertical Wall Digging Depth (mm)	4540
Max Digging Reach (mm)	8355
Max Digging Reach (Ground)	8230
Ground Pressure (kPa)	36

UNDERCARRIAGE

Undercarriage Width (mm)	2600
Tumbler Distance (mm)	3000
Track Height (mm)	825
Track Length (mm)	3735
Shoe Width (mm)	600

ELECTRIC SYSTEM

Nominal Voltage	24V
Batteries	120Ah
Alternator	24V-50A
Starter	24V-4.0kW



EXCLUSIVE DISTRIBUTOR



MAIN OFFICE: UNIT 704 Prestige Tower
Condominium, F. Ortigas Jr, Road Pasig City 1605

SHOWROOM: 1260 EDSA Brgy Apolonio
Samson Balintawak, Quezon City

CONTACTS: 0906-555-0115/0923-116-2418

EMAIL: info@legacytrucks.com.ph

WEBSITE: www.legacytrucks.com.ph

